

Dimmer receivers for halogen, resistive and 230V lights

DMC

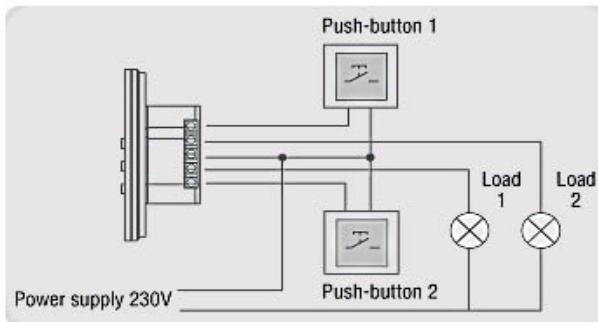


Applications



TECHNICAL SPECIFICATIONS

Power supply	230Vac, 50/60Hz
Characteristics of the RLC load:	
Lights power supplied 230V (R)	max 250W+250W, min 25W
Dimmable transformers 12/24Vdc (LC)	max 250W+250W, min 25W
Operating temperature range	-20°C +50°C
Protection degree	IP20
Dimensions	86 x 86 x 36 mm



TVDMC868BB02

230V Dimmer receiver with integrated radio module and pushbuttons UP/DOWN/OFF for the control of 2 loads up to 250W + 250W • Wireless controlled by remote transmitters • It replaces the existing switches with IN/OUT connection • 100% protected against short-circuits and overheating • Fade function at switchon and off of the light and memory function of the last level of lighting • If controlled by a 7-channel transmitter it is possible to pre-set 4 light scenes. Available also in black (TVDMC868NN02).

TVDMC000BB02

Version without radio module integrated. Available also in black TVDMC000NN02.

Interchangeable frames in different colours and materials available on request.

